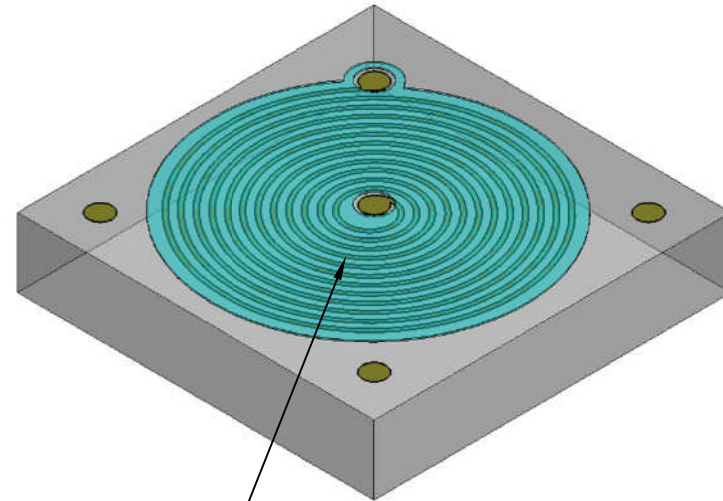
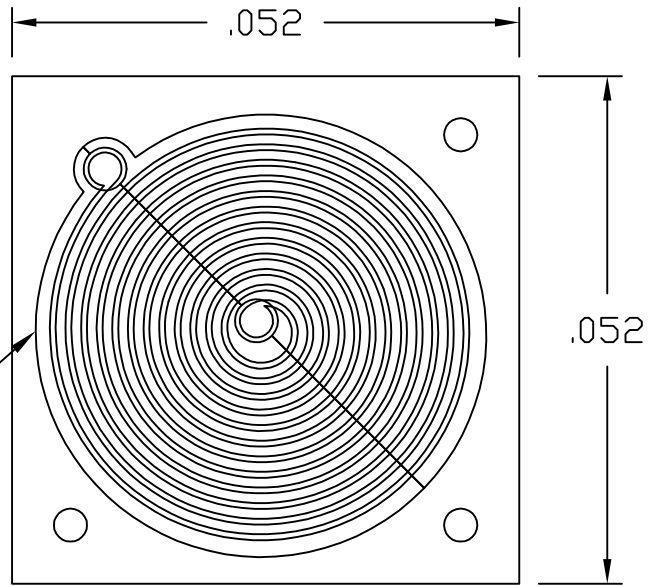


ATP-I-010-Q-1127 revA
12.0 turn

DWG. NO.

REVISIONS			
REV	DESCRIPTION	APPROVED	DATE



NOTES: (UNLESS OTHERWISE SPECIFIED)

1. MATERIAL: .010 THK QUARTZ/FUSED SILICA (SiO₂)

2. METALIZATION A SIDE

TiW= 400-800 Å°

Au= 250 uin min.


NO METALIZATION ON B SIDE

3. CRITICAL DIMENSIONS:

LINE= .0006±.0001

GAP= .001±.0001

△ POLYIMIDE=3-6 MICRONS

ITEM	QTY	PART/MATERIAL - DESCRIPTION	MATL-DWG NO.	MATL-SPEC
PARTS LIST				
CAD GENERATED DRAWING. DO NOT MANUALLY UPDATE				
APPROVALS		DATE		
DRAWN	BKL	04/05/13		
MECH				
ELEC				
MFG	A.Mackey	02/07/13	SIZE	CAGE CODE
QA	K.Netsen	02/07/13	B	04ZMO
DOC CNTRL	C.Quesada	02/07/13	SCALE	
TITLE				REV
 8439 EDISON WAY FREMONT, CALIFORNIA 94538 12.0 TURN 112.7nh SPIRAL INDUCTOR				A
DWG. NO.				SHEET
ATP-I-010-Q-1127				1 OF 1